

MEK 25



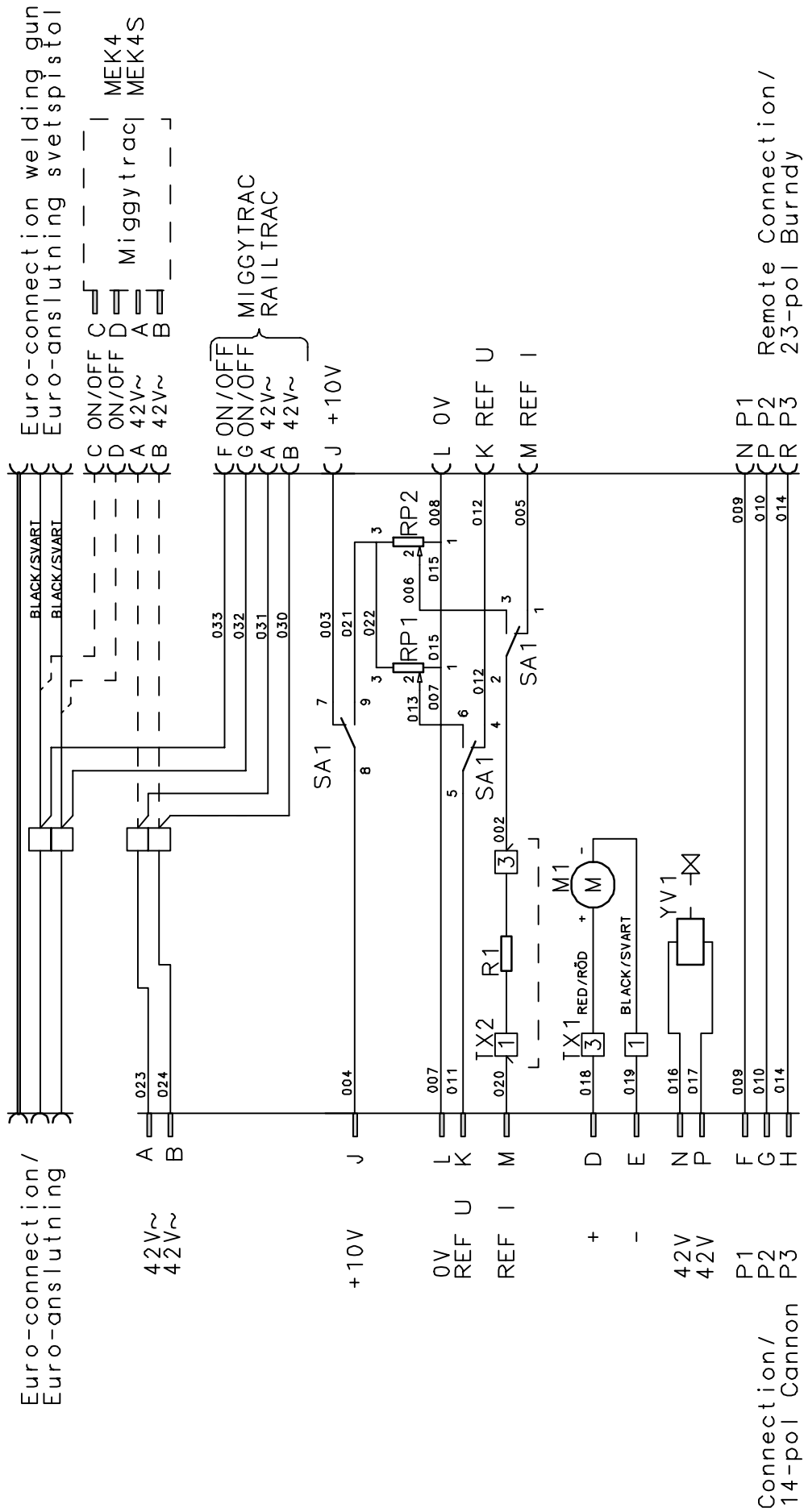
**Bruksanvisning
Brugsanvisning
Bruksanvisning
Käyttöohjeet
Instruction manual
Betriebsanweisung**

**Manuel d'instructions
Gebruiksaanwijzing
Instrucciones de uso
Istruzioni per l'uso
Manual de instruções
Οδηγίες χρήσεως**

SVENSKA	3
DANSK	10
NORSK	17
SUOMI	24
ENGLISH	31
DEUTSCH	38
FRANÇAIS	45
NEDERLANDS	52
ESPAÑOL	59
ITALIANO	66
PORTUGUÊS	73
ΕΛΛΗΝΙΚΑ	80

Rätt till ändring av specifikationer utan avisering förbehålles.
Ret til ændring af specifikationer uden varsel forbeholdes.
Ret til å ændre spesifikasjoner uten varsel forbeholdes.
Oikeudet muutoksiin pidätetään.
Rights reserved to alter specifications without notice.
Änderungen vorbehalten.
Sous réserve de modifications sans avis préalable.
Recht op wijzigingen zonder voorafgaande mededeling voorbehouden.
Reservado el derecho de cambiar las especificaciones sin previo aviso.
Ci riserviamo il diritto di variare le specifiche senza preavviso.
Reservamo-nos o direito de alterar as especificações sem aviso prévio.
Διατηρείται το δικαίωμα τροποποίησης προδιαγραφών Χωρίς προειδοποίηση.

Schema Skema Skjema Johdotuskaavio Diagram Schaltplan Schéma
 Schema Esquema Schema Esquema Σχήμα σύνδεσης



Reservdelsförteckning Reservdelsfortegnelse Reservedelsliste
Varaosaluettelo Spare parts list Ersatzteilliste Liste de pièces détachées
Reserveonderdelenlijst Lista de repuestos Elenco ricambi Lista de peças
sobressalentes Πίνακας ανταλλακτικών μερών



Valid for serial no. 438-xxx-xxxx

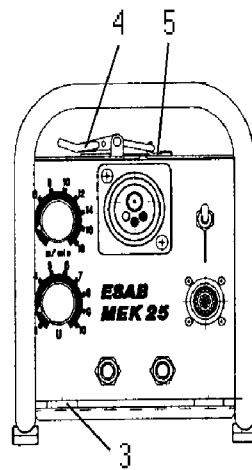
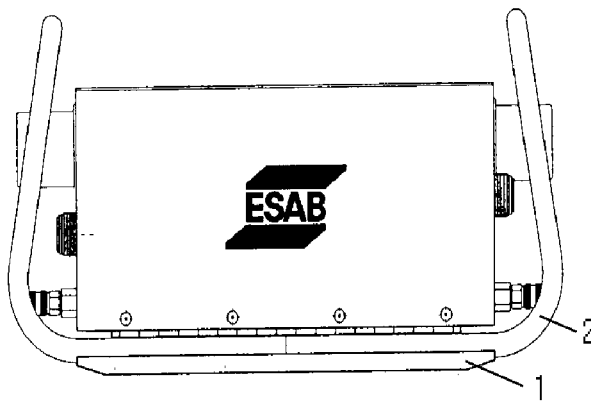
Ordering numbers for MEK 25

0455 295 880 MEK 25 Intermediate wire feed with EURO-contact, Burndy socket

Spare parts are to be ordered through the nearest ESAB agency as per the list on the back of the cover. Kindly indicate type of unit, serial number, denominations and ordering numbers according to the spare parts list.

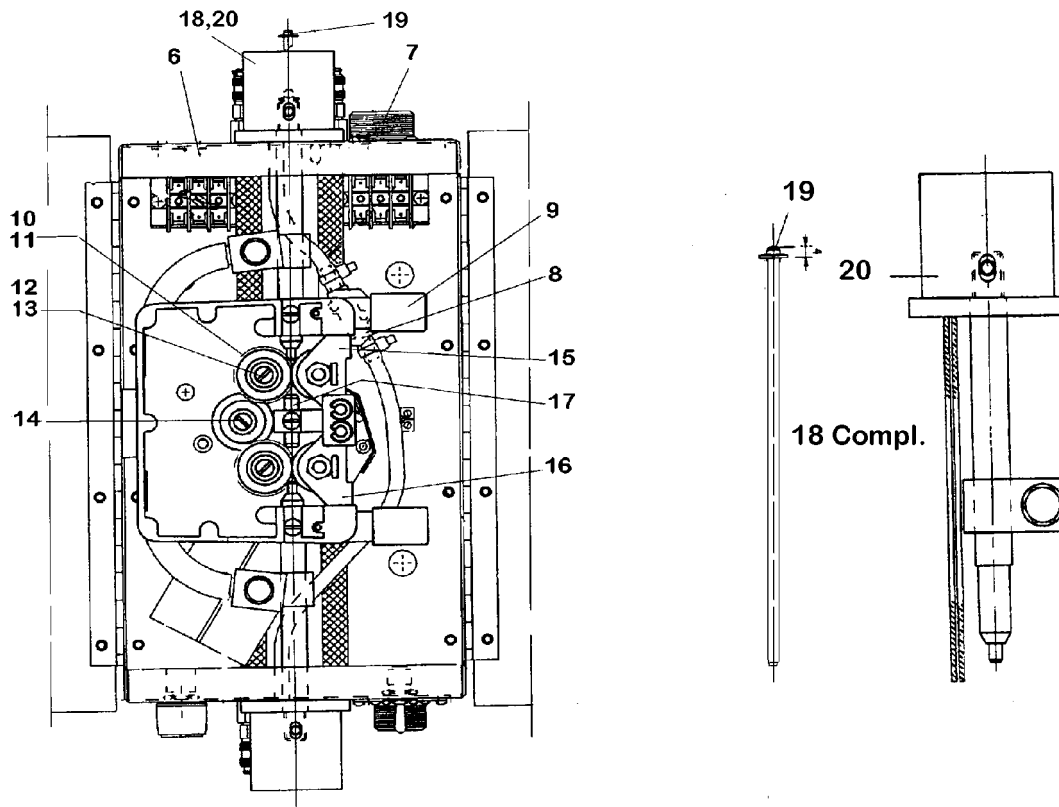
Maintenance and repair work should be performed by an experienced person, and electrical work only by a trained electrician. Use only recommended spare parts.

Item	Qty	Ordering no.	Denomination	Notes
1	2	0469 223 002	Slide bar	
2	1	0469 419 880	Protection bar	
3	8	0153 043 002	Insulaitng washer	
4	1	0469 260 001	Locking device	
5	1	0469 260 002	Clamp	

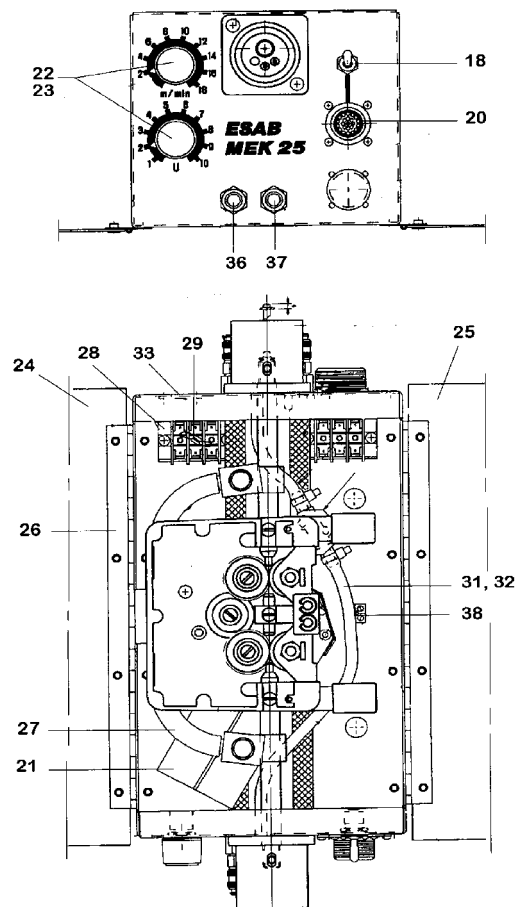


bm16s001

Item	Qty	Ordering no.	Denomination	Notes
6	1	0455 339 001	Case with screen	
7	1	0538 500 201	Pin socket	14 pol
8	1	0193 054 002	Solenoid valve	
9	2	0368 749 880	Pressure	
10	2	0367 907 013	Gear wheel	
11	2	0369 557 004	Feed roller	1,0-1,2/1,4-1,6
	x	0369 557 003	Feed roller	1,0-1,2
12	2	0455 075 001	Screw	before 010401
	2	0458 721 001	Locking nut	M6 from 010401
13	2	0455 068 001	Axel feed roller	before 010401
	2	0458 722 001	Axel feed roller	from 010401
14	1	0367 907 027	Pinjon	
	1	0469 240 001	Washer	
	1	0469 241 001	Washer	
	1	0193 104 002	Rivet washer	D16/5x1
15	1	0468 434 003	Pressure arm	left
16	1	0367 529 001	Pressure arm	
17	1	0367 907 005	Intermediate nozzle	0,6-1,6
18	1	0469 421 880	Adapter complete	
19	1	0469 421 001	Wearing tube	
20	1	0469 421 002	Adapter cap	



Item	Qty	Ordering no.	Denomination	Notes
18	1	0147 866 005	Toggle switch	
20	1	0368 544 005	Socket	Burndy 23 pole
21	1	0466 489 001	Wire feed motor	
22	2	0191 870 212	Potentiometer	2,5 kohm.
23	2	0191 510 106	Knob	
24	1	0469 418 002	Cover plate with screen	
25	1	0469 418 003	Cover plate with screen	
26	2	0469 232 001	Hinge	
27	1	0469 426 881	Cable	1x50mm ²
28	2	0466 884 003	Connection	
29	1	0191 097 138	Resistor	1,2 kΩ
31	1	0191 954 101	Water/gas hose	D8/5x0,12
32	1	0191 954 101	Water/gas hose	D8/5x0,28
33	1	0469 424 001	Cover plate	
36	1	0365 803 008	Quick connection	Femelle, Red
37	1	0365 803 009	Quick connection	Femelle, Blue
38	1	0193 275 011	Connection block	2-pol



bm16s00

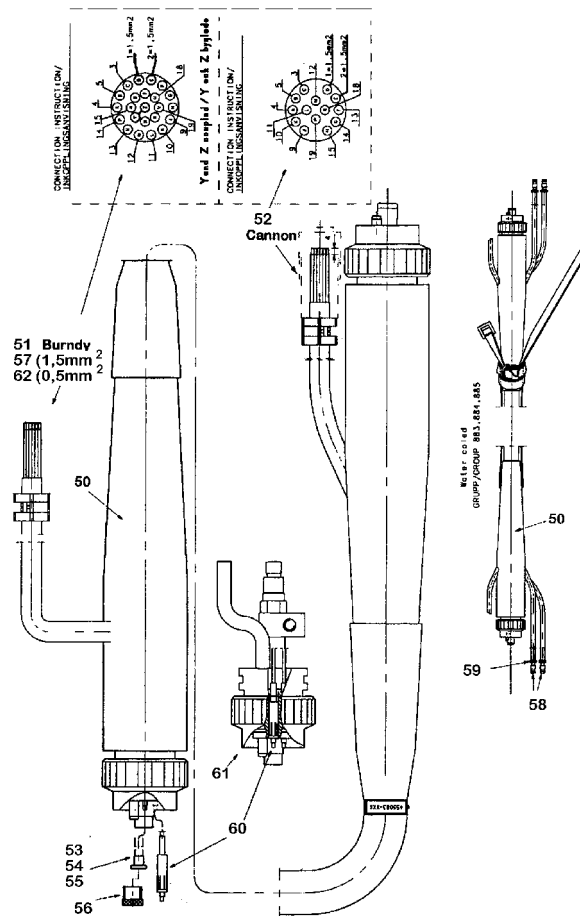
Item	Qty	Ordering no.	Denomination	Notes
50	2	0152 630 022	Rubber sleeve	(A)
	2	0152 630 023	Rubber sleeve	(B)
51		0368 541 005	Pin plugg burndy	23 pole
52		0193 114 001	Sleeve plugg	14 pole
53	1	0367 285 885	Wire feed conduit	L=25,4
54	1	0367 285 883	Wire feed conduit	L=19,4m
55	1	0367 285 882	Wire feed conduit	L=12,9m
56	2	0455 150 001	Nipple	
57	2	0193 513 005	Pin burndy	ø 1,5 mm ²
58	4	0365 803 004	Hose joint	(B)
59	4	0368 978 004	Hose clamp	(B)
60	4	0467 582 880	Spare part kit	
61	2	0455 152 880	Current connection complete	
62	14	0193 513 003	Pin contact	ø 0,5 mm ²

A=Welding hose for air cooled welding gun

B=Welding hose for water cooled welding gun

12,5 m 0469 961 880
 19,0 m 0469 961 881
 25,0 m 0469 961 882

12,5 m 0469961 883
 19,0 m 0469 961 884
 25,0 m 0469 961 885



bm16s00

ESAB subsidiaries and representative offices

Europe

AUSTRIA

ESAB Ges.m.b.H
Vienna-Liesing
Tel: +43 1 888 25 11
Fax: +43 1 888 25 11 85

BELGIUM

S.A. ESAB N.V.
Brussels
Tel: +32 2 745 11 00
Fax: +32 2 726 80 05

THE CZECH REPUBLIC

ESAB VAMBERK s.r.o.
Prague
Tel: +420 2 819 40 885
Fax: +420 2 819 40 120

DENMARK

Aktieselskabet ESAB
Copenhagen-Valby
Tel: +45 36 30 01 11
Fax: +45 36 30 40 03

FINLAND

ESAB Oy
Helsinki
Tel: +358 9 547 761
Fax: +358 9 547 77 71

FRANCE

ESAB France S.A.
Cergy Pontoise
Tel: +33 1 30 75 55 00
Fax: +33 1 30 75 55 24

GERMANY

ESAB GmbH
Solingen
Tel: +49 212 298 0
Fax: +49 212 298 204

GREAT BRITAIN

ESAB Group (UK) Ltd
Waltham Cross
Tel: +44 1992 76 85 15
Fax: +44 1992 71 58 03

ESAB Automation Ltd
Andover
Tel: +44 1264 33 22 33
Fax: +44 1264 33 20 74

HUNGARY

ESAB Kft
Budapest
Tel: +36 1 20 44 182
Fax: +36 1 20 44 186

ITALY

ESAB Saldatura S.p.A.
Mesero (Mi)
Tel: +39 02 97 96 81
Fax: +39 02 97 28 91 81

THE NETHERLANDS

ESAB Nederland B.V.
Utrecht
Tel: +31 30 248 59 22
Fax: +31 30 248 52 60

NORWAY

AS ESAB
Larvik
Tel: +47 33 12 10 00
Fax: +47 33 11 52 03

POLAND

ESAB Sp.z.o.o
Warszaw
Tel: +48 22 813 99 63
Fax: +48 22 813 98 81

PORTUGAL

ESAB Lda
Lisbon
Tel: +351 1 837 1527
Fax: +351 1 859 1277

SLOVAKIA

ESAB Slovakia s.r.o.
Bratislava
Tel: +421 7 44 88 24 26
Fax: +421 7 44 88 87 41

SPAIN

ESAB Ibérica S.A.
Alcobendas (Madrid)
Tel: +34 91 623 11 00
Fax: +34 91 661 51 83

SWEDEN

ESAB Sverige AB
Gothenburg
Tel: +46 31 50 95 00
Fax: +46 31 50 92 22

ESAB International AB
Gothenburg
Tel: +46 31 50 90 00
Fax: +46 31 50 93 60

SWITZERLAND

ESAB AG
Dietikon
Tel: +41 1 741 25 25
Fax: +41 1 740 30 55

North and South America

ARGENTINA

CONARCO
Buenos Aires
Tel: +54 11 4 753 4039
Fax: +54 11 4 753 6313

BRAZIL

ESAB S.A.
Contagem-MG
Tel: +55 31 333 43 33
Fax: +55 31 361 31 51

CANADA

ESAB Group Canada Inc.
Mississauga, Ontario
Tel: +1 905 670 02 20
Fax: +1 905 670 48 79

MEXICO

ESAB Mexico S.A.
Monterrey
Tel: +52 8 350 5959
Fax: +52 8 350 7554

USA

ESAB Welding & Cutting Products
Florence, SC
Tel: +1 843 669 44 11
Fax: +1 843 664 44 58

Asia/Pacific

AUSTRALIA

ESAB Australia Pty Ltd
Ermington
Tel: +61 2 9647 1232
Fax: +61 2 9748 1685

CHINA

Shanghai ESAB A/P
Shanghai
Tel: +86 21 6539 7124
Fax: +86 21 6543 6622

INDIA

ESAB India Ltd
Calcutta
Tel: +91 33 478 45 17
Fax: +91 33 468 18 80

INDONESIA

P.T. Esabindo Pratama
Jakarta
Tel: +62 21 460 01 88
Fax: +62 21 461 29 29

MALAYSIA

ESAB (Malaysia) Snd Bhd
Selangor
Tel: +60 3 703 36 15
Fax: +60 3 703 35 52

SINGAPORE

ESAB Singapore Pte Ltd
Singapore
Tel: +65 861 43 22
Fax: +65 861 31 95

ESAB Asia/Pacific Pte Ltd
Singapore
Tel: +65 861 74 42
Fax: +65 863 08 39

SOUTH KOREA

ESAB SeAH Corporation
Kyung-Nam
Tel: +82 551 289 81 11
Fax: +82 551 289 88 63

UNITED ARAB EMIRATES

ESAB Middle East
Dubai
Tel: +971 4 338 88 29
Fax: +971 4 338 87 29

Representative offices

BULGARIA

ESAB Representative Office
Sofia
Tel/Fax: +359 2 974 42 88

EGYPT

ESAB Egypt
Dokki-Cairo
Tel: +20 2 390 96 69
Fax: +20 2 393 32 13

ROMANIA

ESAB Representative Office
Bucharest
Tel/Fax: +40 1 322 36 74

RUSSIA-CIS

ESAB Representative Office
Moscow
Tel: +7 095 937 98 20
Fax: +7 095 937 95 80

ESAB Representative Office
St Petersburg
Tel: +7 812 325 43 62
Fax: +7 812 325 66 85

Distributors

For addresses and phone numbers to our distributors in other countries, please visit our home page

www.esab.com



ESAB AB
SE-695 81 LAXÅ
SWEDEN
Phone +46 584 81 000
Fax +46 584 123 08

www.esab.com

